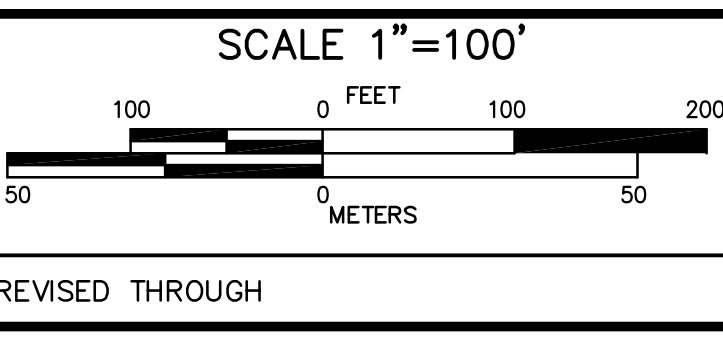


THIS MAP IS FOR ASSESSMENT PURPOSES ONLY. IT IS NOT VALID FOR LEGAL DESCRIPTION NOR CONVEYANCE.
 THE HORIZONTAL DATUM IS THE MASSACHUSETTS STATE PLANE COORDINATE SYSTEM, NAD 83 FEET.
 ORIGINAL PROPERTY MAPS WERE PREPARED BY GORDON E. AINSWORTH & ASSOCIATES, INC. MAPS WERE REVISED AND REPRINTED BY CARTOGRAPHIC ASSOCIATES, INC.
 DATE FLIGHT: MAY 3, 1981 DATE DELIVERY: MARCH 11, 1982

DIGITIZED IN 2002 BY
CARTOGRAPHIC ASSOC. INC.
 PROFESSIONAL CONSULTANTS
 MUNICIPAL MAPPING - GIS - PUBLIC WORKS INFORMATION MANAGEMENT
 11 PLEASANT STREET, LITTLETON, NEW HAMPSHIRE 03561
 (603)444-6768 - 1(800)322-4540 - FAX (603)444-1366 - WWW.CAI-INFO.COM

ADJACENT SHEET No.	102
CALCULATED AREA	8 AcC
SURVEYED AREA	8.3 Ac
EXEMPT PROPERTY	EXEMPT
SCALED DIMENSION	100'S

LEGEND	
COMMON OWNERSHIP	OR
DEVELOPMENT LOT No.	(2)
MATCH LINE	M.L.
RIGHT OF WAY	R/W



TOWN OF
COLRAIN
 MASSACHUSETTS

MAP NO.
127