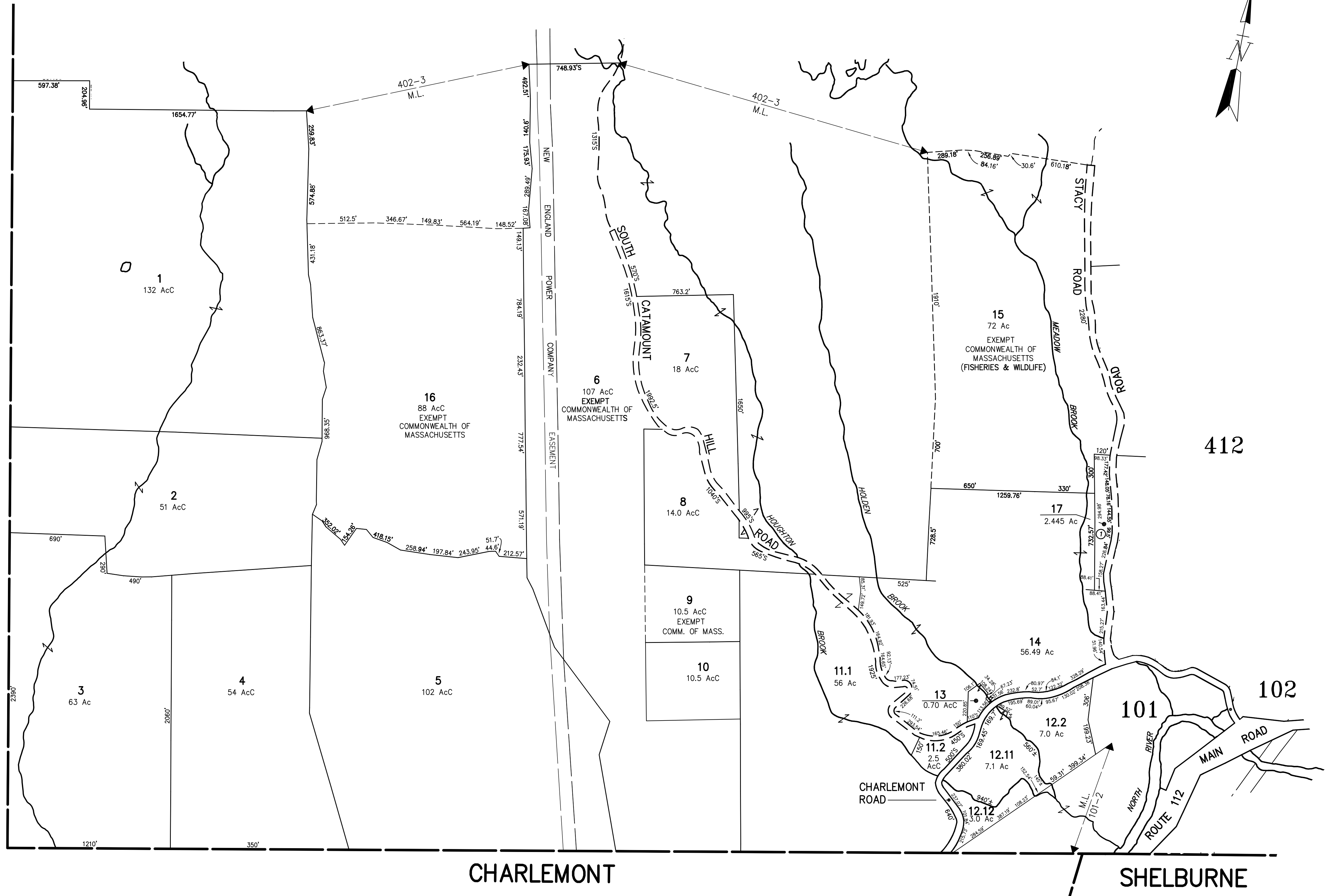


CHARLEMONT



412

102

101

CHARLEMONT

SHELBURNE

THIS MAP IS FOR ASSESSMENT PURPOSES ONLY. IT IS NOT VALID FOR LEGAL DESCRIPTION NOR CONVEYANCE.

THE HORIZONTAL DATUM IS THE MASSACHUSETTS STATE PLANE COORDINATE SYSTEM, NAD 83 FEET.

ORIGINAL PROPERTY MAPS WERE PREPARED BY GORDON E. AINSWORTH & ASSOCIATES, INC. MAPS WERE REVISED AND REPRINTED BY CARTOGRAPHIC ASSOCIATES, INC.

DATE FLIGHT: MAY 3, 1981 DATE DELIVERY: MARCH 11, 1982

DIGITIZED IN 2002 BY  
**CARTOGRAPHIC ASSOC. INC.**

PROFESSIONAL CONSULTANTS  
 MUNICIPAL MAPPING - GIS - PUBLIC WORKS INFORMATION MANAGEMENT  
 11 PLEASANT STREET, LITTLETON, NEW HAMPSHIRE 03561  
 (603)444-6768 - 1(800)322-4540 - FAX (603)444-1366 - WWW.CAI-INFO.COM

ADJACENT SHEET No. **102**

CALCULATED AREA 8 AcC  
 SURVEYED AREA 8.3 Ac  
 EXEMPT PROPERTY EXEMPT  
 SCALED DIMENSION 100'S

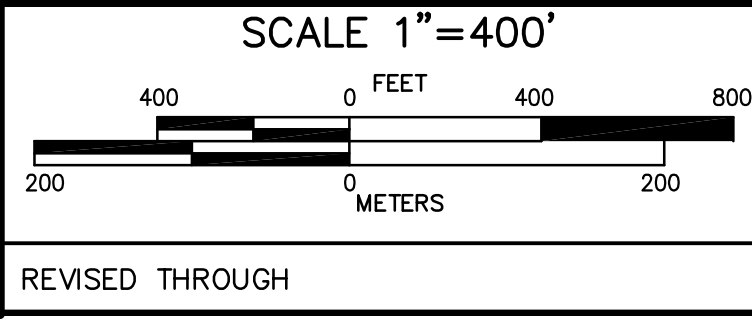
LEGEND

COMMON OWNERSHIP ———— OR ————

DEVELOPMENT LOT No. (2)

MATCH LINE — M.L. —

RIGHT OF WAY — R/W —



TOWN OF  
**COLRAIN**  
 MASSACHUSETTS

MAP NO.  
**401**